

MAINTAINING YOUR CROSSBOW SCOPE

Your crossbow scope is shockproof and waterproof, however, you should never try to take it apart or clean it internally. If your scope ever does need repairs or adjustments, it should be returned.

The exposed optic surfaces will perform their best if they are occasionally wiped clean with the lens cloth provided or with an optical quality lens paper like those for eyeglasses or camera lenses. Keep the protective lens cap in place when the scope is not being used.

Maintain the metal surfaces of your crossbow scope by removing any dirt or sand with a soft brush so as to avoid scratching the finish. Wiping down the scope with a damp cloth and silicone treated cloth will restore lustre and protect the scope against corrosion. Be careful not to touch any of the lenses with the silicone cloth.

LIMITED LIFETIME WARRANTY

Congratulations on the purchase of your new Octane Multiplex Crossbow Scope. This product carries with it a Limited Lifetime Warranty.

The scope is warranted against original defects in material and/or workmanship for the length of time specified by this warranty, provided that the unit has not been abused, taken apart, or tampered with in any way whatsoever.

This warranty is limited to the original purchase and is not transferable.

Should it become necessary to repair your Octane Scope, package it carefully and return it pre-paid to:

CANADA
Excalibur Crossbow
 2335 Shirley Drive
 Kitchener, Ontario
 N2B 3X4

USA
Bowtech
 90554 Highway 99 North
 Eugene, Oregon
 97402

Include your name, address, telephone or fax number, a brief note explaining the problem and a cheque or money order for \$10.00 to cover inspection, shipping and handling. In the event that the repair is not covered by this warranty, an estimate will be sent for your approval.



OCTANE™

DEAD ZONE

Adjustable Multiplex Crossbow Scope

Designed for Variable Speeds

CONGRATULATIONS ON PURCHASING THE OCTANE DEAD-ZONE
 ADJUSTABLE MULTIPLEX CROSSBOW SCOPE.

The main requirements of a fine crossbow scope are excellent light gathering properties, a wide field of view and a practical Range Compensating Crosshair system. Your new Octane scope will give you all this and much more!

Please read your instructions carefully and contact us if you have any questions.

Good hunting!

DEAD-ZONE CROSSBOW SCOPE

FOCUSING

While holding the scope about three or four inches from your eye, quickly glance through the eyepiece at a featureless, flatly lit, bright area such as a wall or open sky.

CAUTION: Viewing the sun can cause serious eye injury. Never look at the sun with this product or even with the naked eye.

If the reticle is not sharply defined instantly, loosen the eye bell locking ring, turn the eyepiece (either direction) a few turns. Quickly glance through the scope again. If the focus has improved, but is still not perfect, continue focusing. If the focus condition becomes worse, turn it the opposite way. When the reticle appears in sharp focus, re-tighten the locking ring.

MOUNTING

CAUTION: Be sure the crossbow is not cocked. Use safe handling procedures at all times.

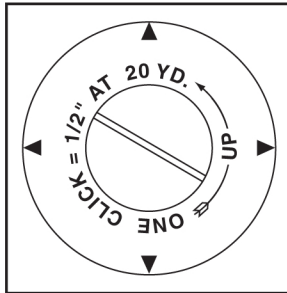
1. Attach rings to scope mounting area.
2. Separate the tops of the rings from the bottom portion. Set the scope in the cradles formed by the bottom portions. Replace the tops, but don't tighten.
3. Push the scope as far forward as it will go. Rotate the scope so that the elevation turret is on top.
4. Shoulder or benchrest the crossbow and pull the scope back toward you until you see the full field of view. Check attitude of the reticle – the horizontal components should be aligned with the limbs.
5. When the scope is properly positioned and the reticle aligned with the limbs, tighten the scope ring tops.

CAUTION: Do not over-tighten. Over-tightening can cause damage to the scope, affecting performance or even rendering it inoperable. There should be a slight gap between the rings and the scope. The gaps should be even on the left and right side of both rings.

ZEROING

CAUTION: All shooting should be done at an approved range or other safe area.

1. Use a target for sighting which will safely stop your arrows without damaging them.
2. Field points are excellent for zeroing your scope, but be sure to adjust for your hunting arrows before going afield.
3. Begin at **10 yards** using the bottom of the **top post** and firing several shots to establish point of impact. Adjust windage or elevation screws 4 clicks for each inch of movement required to correct your arrow's impact then fire a shot to check. Repeat if necessary to ensure point of impact is aligned.
4. Move back to **20 yards** to fine tune your sighting and shoot several arrows using the crosshair. Any final adjustment will require 2 clicks per inch of correction. Replace caps and check other ranges to ensure that your crossbow's trajectory aligns with the other aiming marks.



DEAD-ZONE CROSSBOW SCOPE

5. To set the range compensation markers to 10 yard trajectory spacing, turn the compensation ring to the correct FPS reading to match your crossbow velocity.
6. To fine tune, move back to a measured 50 yards and check your bow's point of impact with the lowest (50 yard) marker. If you hit high, make a small adjustment towards the higher velocity. If you hit low, adjust the opposite way. When your arrow hits exactly on the 50 yard marker, your scope is perfectly tuned to your crossbow. To determine the speed your crossbow is shooting, use a chronograph or consult your manual.

PARALLAX

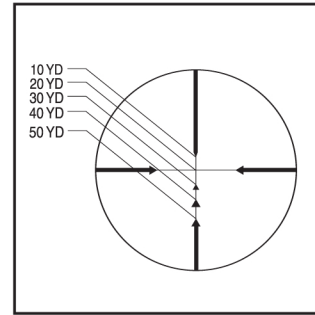
USING YOUR OCTANE DEAD-ZONE MULTIPLEX RETICLE

Your new crossbow scope is factory set to be parallax free at 30 yards. Over normal crossbow hunting distances no variation in parallax will be detected.

TRAJECTORY COMPENSATION

Our unique reticle will allow you to automatically adjust your aim in order to compensate for your arrow's trajectory from 0 to 50 yards. Simply estimate your target's range, hold the appropriate aiming point directly where you want the arrow to hit, and shoot! For in-between shots (25, 35, 45 yards) bracket your target between the appropriate aiming points before firing.

We strongly suggest that if you choose to shoot farther than 30 yards when hunting, utmost caution is used, as distance estimation becomes very critical and poor arrow placement may result.



LEADING

A walking deer will travel approximately 4 to 5 FPS, requiring approximately a one foot lead at 20 yards. Most crossbow hunters find it very difficult to aim ahead of a deer moving so slowly, and the opportunity exists to hit the animal poorly. We all hope that the deer will stop in shooting position to avoid any chance of this, but sometimes they just don't! The horizontal duplex crosshairs will automatically compensate lead on a walking deer in the broadside position from 0 to 25 yards. Just put the arrow pointing in the direction the deer is traveling where you want to hit and shoot.

We strongly suggest that you never shoot at quickly moving game, or even at a walking deer beyond 25 yards, as wounding becomes a real possibility. As an ethical hunter, you must make every effort to make the best possible shot.

